

**TAKAHASHI****Europe**[Home](#) [Refractors](#) [Reflectors](#) [Mounts](#) [Accessories](#) [Dealers](#) [Corporate Info](#)**TAKAHASHI**

## Doublet Fluorite Apochromat FS-60C

### FS-60C

<a href="#">Overview</a>
<a href="#">Features</a>
<a href="#">Optics</a>
<a href="#">Specifications</a>
<a href="#">Configurations</a>
<a href="#">Pictures</a>
<a href="#">Accessories</a>
<a href="#">System-charts</a>



The Takahashi FS-60C apochromatic refractor is the itinerant telescope par excellence. It features exceptional optical and mechanical qualities (objective with Fluorite doublet) and an incredible compact design. All Takahashi is in it.

Its great versatility will charm all the observers. It can easily be used for the visual observation, as well as astronomical or terrestrial. For the photographers, it is transformed into wide field astrograph or guiding scope. For this last function, Takahashi proposes even an optional specific parallel support, the TGM.

The FS-60 exists in two versions: traditional with standard tube (FS-60C) and compacts with shortened tube (FS-60CSV), for the users wishing to have important backfocus. For a general-purpose use, the FS-60C is recommended. When necessary, it is however possible to then convert it

into the CSV version thanks to an optional tube. Be careful because the reverse operation is not possible.

[Contact us](#) [Terms of Use](#) [Credits](#)

**TAKAHASHI****Europe**[Home](#) [Refractors](#) [Reflectors](#) [Mounts](#) [Accessories](#) [Dealers](#) [Corporate Info](#)**TAKAHASHI**

## Doublet Fluorite Apochromat FS-60C

### FS-60C

Overview
Features
Optics
Specifications
Configurations
Pictures
Accessories
System-charts



#### Apochromatic objective with Fluorite doublet

Its first quality comes from its apochromatic objective with Fluorite doublet of 60mm of aperture, as good as refractors with higher diameter. The FS-60 will astonish more than one purist. When one knows what one can obtain from an excellent short focal length optic (F=355mm, F/D 5,9) in imaging, we immediately understand all the advantage of this small compact and transportable telescope.



#### Exceptional mechanics

Excellent Takahashi mechanics propels the FS-60C at the top of the refractors of this category. Its tightened rack-and-pinion focuser is designed for astrophotography and CCD imaging. A thumb screw maintains the focuser in position whatever the direction of pointing is.



#### Versatility and performances

Light and compact, the FS-60C can be easily change into planetary telescope or wide field CCD imager or auxiliary instrument for guiding, and this, thanks to a vast range of accessories. A conversion kit towards a short version (FS-60CSV) is available for the users having a need for important backfocus.

[Contact us](#) [Terms of Use](#) [Credits](#)



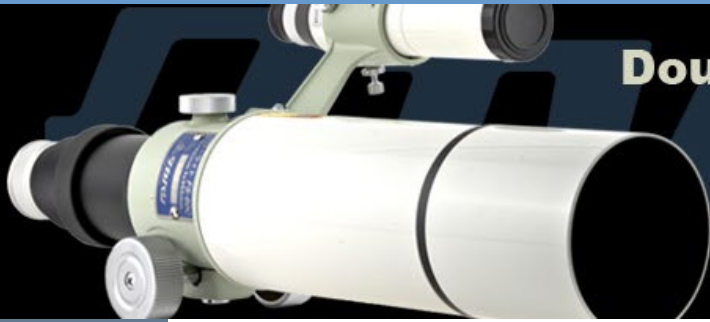
# TAKAHASHI

# Europe

[Home](#) [Refractors](#) [Reflectors](#) [Mounts](#) [Accessories](#) [Dealers](#) [Corporate Info](#)



TAKAHASHI



## Doublet Fluorite Apochromat FS-60C

FS-60C
<a href="#">Overview</a>
<a href="#">Features</a>
<a href="#">Optics</a>
<a href="#">Specifications</a>
<a href="#">Configurations</a>
<a href="#">Pictures</a>
<a href="#">Accessories</a>
<a href="#">System-charts</a>



### Spot diagrams

The spot-diagrams of the FS-60C show the excellent chromatic correction at prime focus, ensured by the the Fluorite doublet, and the good behavior of the diffraction pattern, including at 14mm off-axis distance. We will note also the important role of the flattener for a wide-field photographic use. It allows the use without restriction of the most recent DSR/DSLR or CCD cameras.

[Contact us](#) [Terms of Use](#) [Credits](#)

**TAKAHASHI****Europe**

Home Refractors Reflectors Mounts Accessories Dealers Corporate Info

**TAKAHASHI****Doublet Fluorite Apochromat  
FS-60C****FS-60C**

Overview  
Features  
Optics  
Specifications  
Configurations  
Pictures  
Accessories  
System-charts

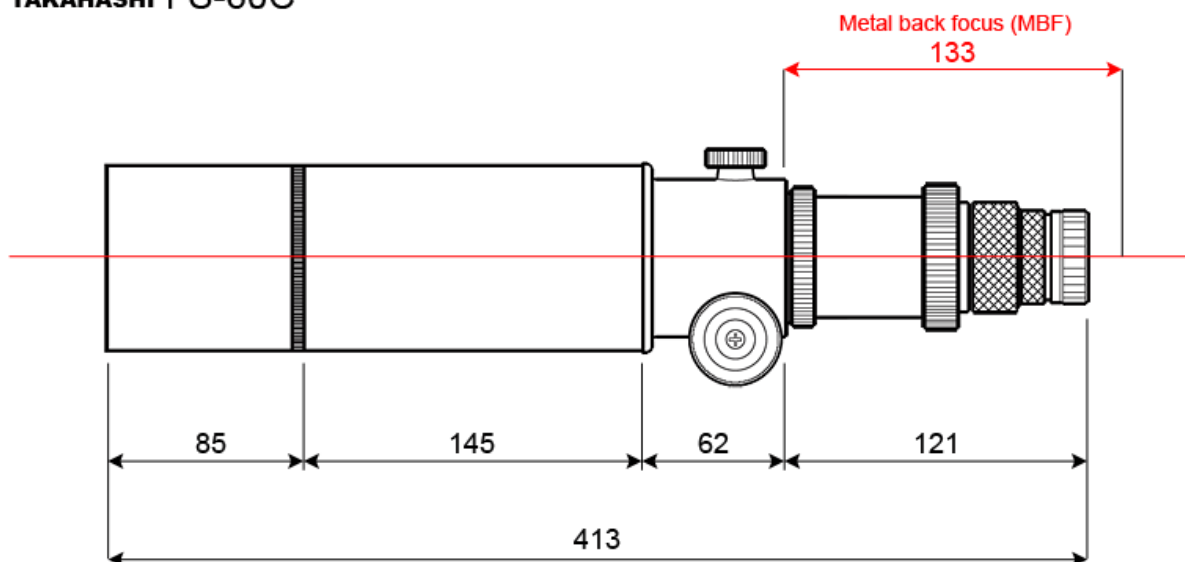
**Optical specifications**

Spec.	FS-60C/CSV
Optical design	Fluorite Doublet
Optical mounting	Air spaced (Fluorite in front)
Optical coatings	Fully Multi-Coated
Aperture	60mm
<b>Standard</b>	
Focal length	355mm
Focal ratio	F/5.9
Resolution	1.9"
Limiting magnitude	10.7
Light grasp	73x
Image circle	NA
Photo field	NA
<b>With reducer</b>	
Focal length	264mm
Focal ratio	F/4.4
Image circle	NA
Photo field	NA
<b>With C2X Extender</b>	
Focal length	710mm
Focal ratio	F/11.8
Image circle	NA
Photo field	NA

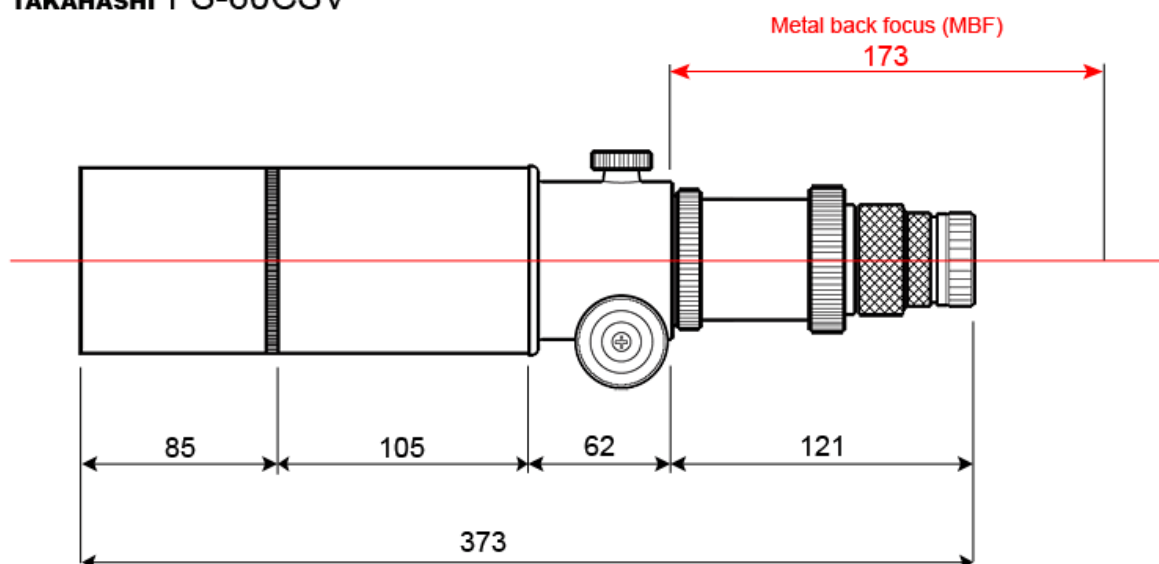
**Mecanical specifications**

Longitudinal view (distance in mm)

### TAKAHASHI FS-60C



### TAKAHASHI FS-60CSV



Spec.	FS-60C	FS-60CSV
Tube length	440mm	NA
Tube diameter / with dew tube	80mm / 80mm	
Tube weight	1.3kg	NA

**TAKAHASHI****Europe**

Home Refractors Reflectors Mounts Accessories Dealers Corporate Info

**TAKAHASHI**

# Doublet Fluorite Apochromat FS-60C

**FS-60C**

Overview
Features
Optics
Specifications
Configurations
Pictures
Accessories
System-charts

**Tube Assemblies**

Takahashi Europe

**Takahashi FS-60C (OTA), tube only, with 31.75mm adapter**

Item number : [TSK06010]

Takahashi Europe

**Takahashi FS-60C (OTA), tube complete**

Item number : [TSK06000]

**Delivered with :**

[TSK06010] - FS-60C OTA with 31.75mm adapter  
 [TKA00551] - Finder 6x30  
 [TKA00562] - Finder bracket  
 [TKA20420] - Tube holder

Takahashi Europe

**Takahashi FS-60CSV (OTA), tube only, with 31.75mm adapter.  
40mm tube shortened.**

Item number : [TSK06110]

Takahashi Europe

**Takahashi FS-60CSV, tube assembly complete. 40mm tube shortened.**

Item number : [TSK06100]

**Delivered with :**

[TSK06110] - FS-60CSV OTA with 31.75mm adapter  
 [TKA00551] - Finder 6x30  
 [TKA00562] - Finder bracket  
 [TKA20420] - Tube holder





**TAKAHASHI**  
optics

Europe

[Home](#) [Refractors](#) [Reflectors](#) [Mounts](#) [Accessories](#) [Dealers](#) [Corporate Info](#)



TAKAHASHI



# Doublet Fluorite Apochromat FS-60C

## FS-60C

- [Overview](#)
- [Features](#)
- [Optics](#)
- [Specifications](#)
- [Configurations](#)
- [Pictures](#)
- [Accessories](#)
- [System-charts](#)

## FS-60C



[Contact us](#) [Terms of Use](#) [Credits](#)



**TAKAHASHI****Europe**[Home](#) [Refractors](#) [Reflectors](#) [Mounts](#) [Accessories](#) [Dealers](#) [Corporate Info](#)**TAKAHASHI**

# Doublet Fluorite Apochromat FS-60C

**FS-60C**

Overview
Features
Optics
Specifications
Configurations
Pictures
Accessories
System-charts

**FS-60 tube holder**

[TKA20420]



The tube holder for FS-60 is essential for the fixing of the tube on a mounting or guidance systems TGM. It has the 2 holes for fixing on Takahashi mountings as well as Kodak screw pitch for fixing on a photo tripod. Moreover, it is equipped with a Kodak screw intended to receive a SLR/DSLR camera for a parallel connection.

**Flattener F/6,2 n°80**

[TKA20582]



This flattener allows photographers to obtain a perfectly flat field at prime focus. Its use is strongly recommended for wide-field imaging. Note however that it increases focal ratio very slightly, from 5.9 to 6.2. The corrector is screwed at prime focus of the refractor. See the main system-chart for his implementation.

**Extender-C2X n°60**

[TKA00594]

[System-chart](#)

To lengthen the focal distance of the FS-60, you can equip it with the Extender-C2X. It can be used at the same time into visual and imaging purposes. See the specific system-chart for the various assemblies.

**Camera Angle Adjuster (CAA) n°6**

[TKA21200]



The camera angle adjuster is a device that allows you to turn the accessories installed at prime focus of the OTA, in particular cameras for framing. This accessory has to be screwed before all the others at FS-60 prime focus. Its use is imperative for the photo assemblies (see the general system-chart for more details).

**TAKAHASHI****Europe**[Home](#) [Refractors](#) [Reflectors](#) [Mounts](#) [Accessories](#) [Dealers](#) [Corporate Info](#)**TAKAHASHI**

# Doublet Fluorite Apochromat FS-60C

**FS-60C**[Overview](#)  
[Features](#)  
[Optics](#)  
[Specifications](#)  
[Configurations](#)  
[Pictures](#)  
[Accessories](#)  
[System-charts](#)**System-chart****Display  
version****Print  
version**

FS-60C (photo/visual)



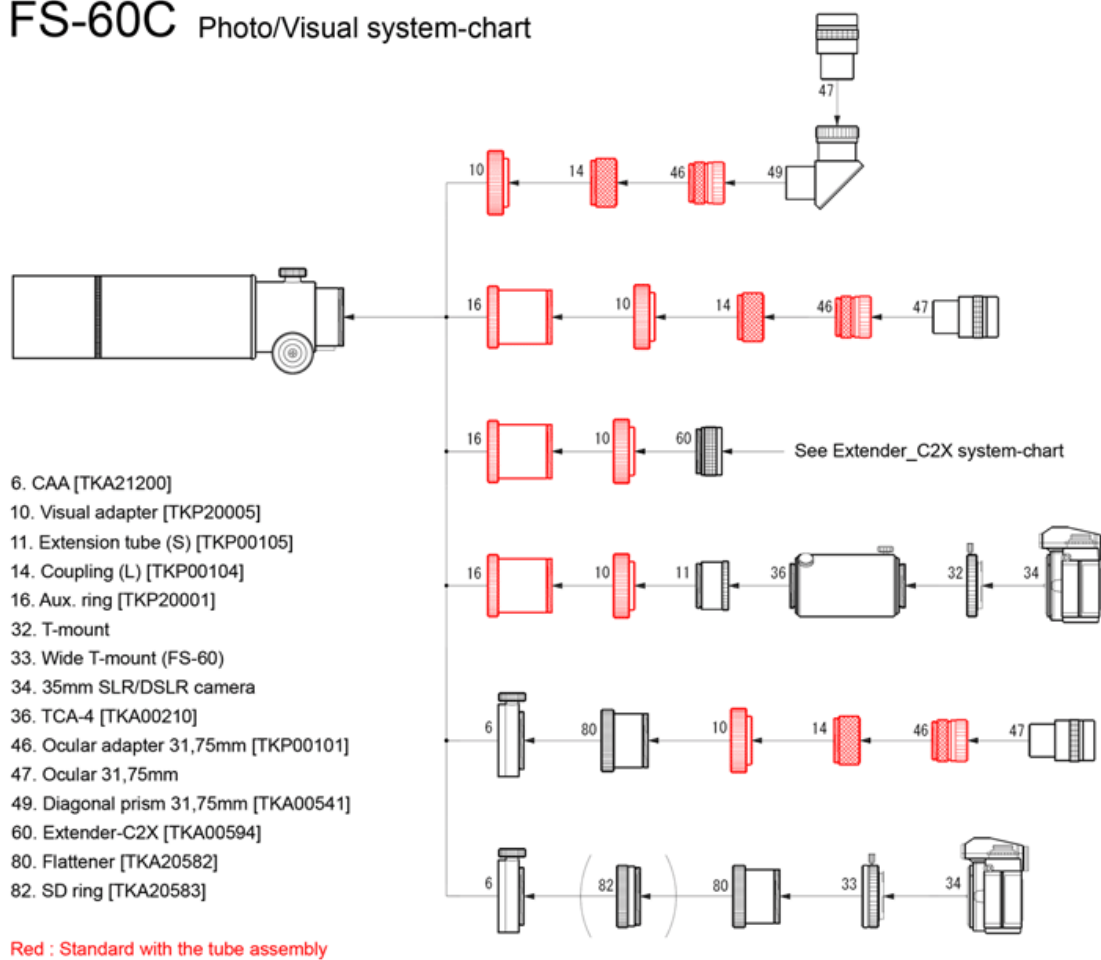
FS-60C with Extender C2X (photo/visual)



FS-60CSV (photo/visual)



# FS-60C Photo/Visual system-chart



[Note 1] Some types of 35mm SLR or digital SLR might be not connected

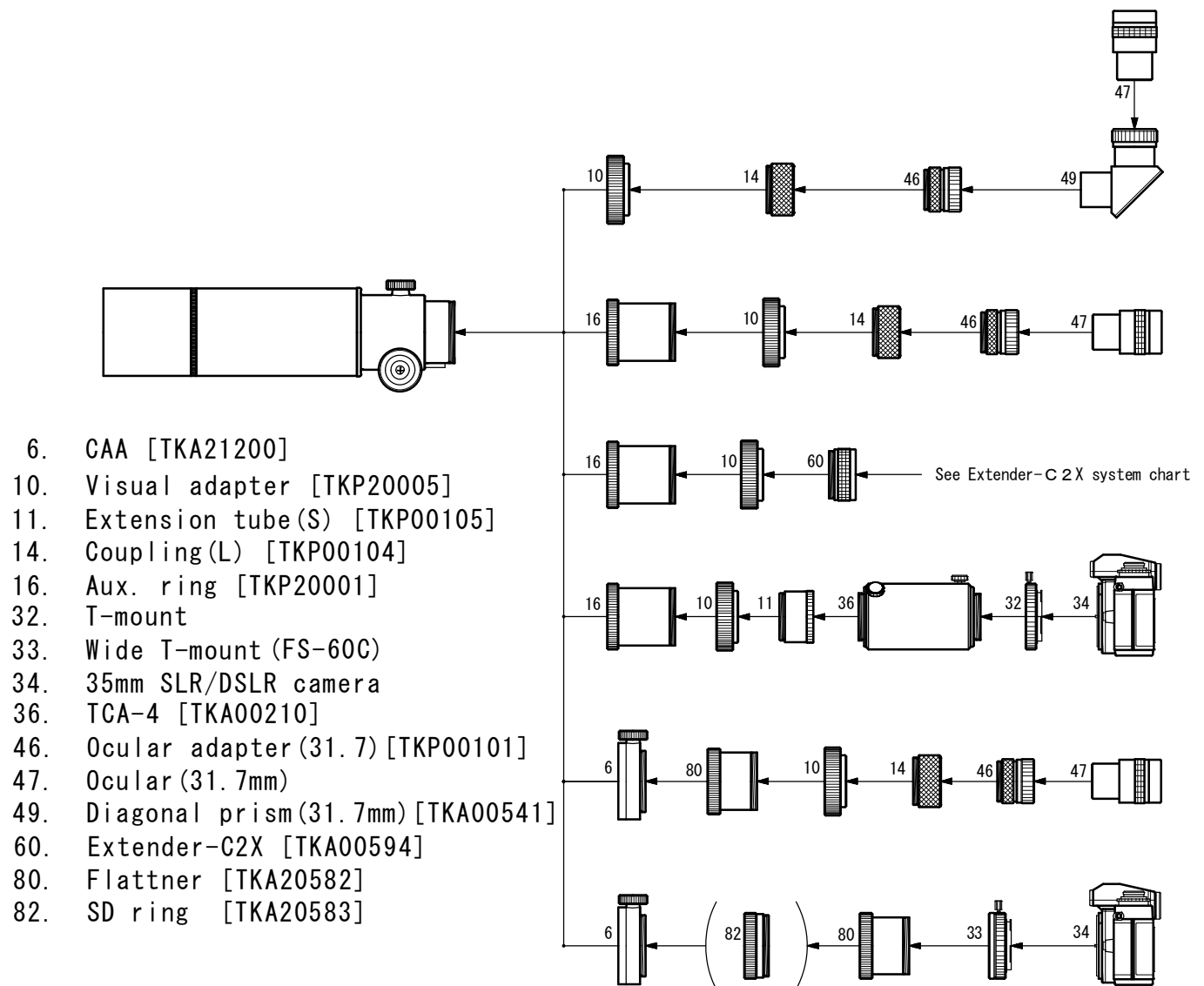
[Note 2] When the extension tube (No. 82) is used, the FS-60C can focus the object in the distance of about 6m to infinity.

**TAKAHASHI**

Copyright TAKAHASHI Europe

# FS-60C

## Photo/Visual System Chart



[Note 1] No. 10, 14, 16, 46 are standard with the tube ass'y.

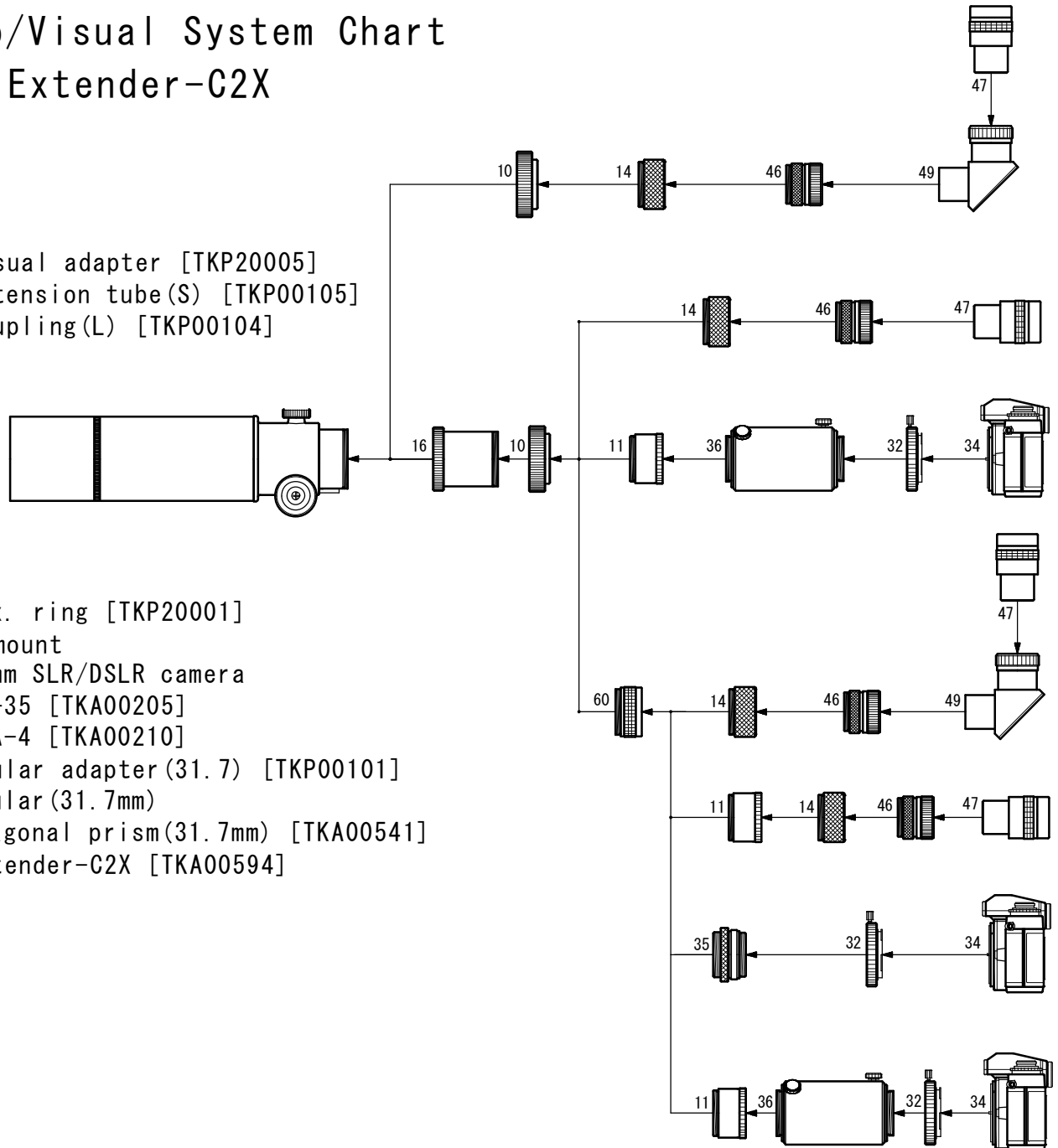
[Note 2] Some types of 35mm SLR or digital SLR cameras might be not connected

[Note 3] When the extension tube (No.82) is used, the FS-60C can focus the object in the distance of about 6m to infinity.

# FS-60C

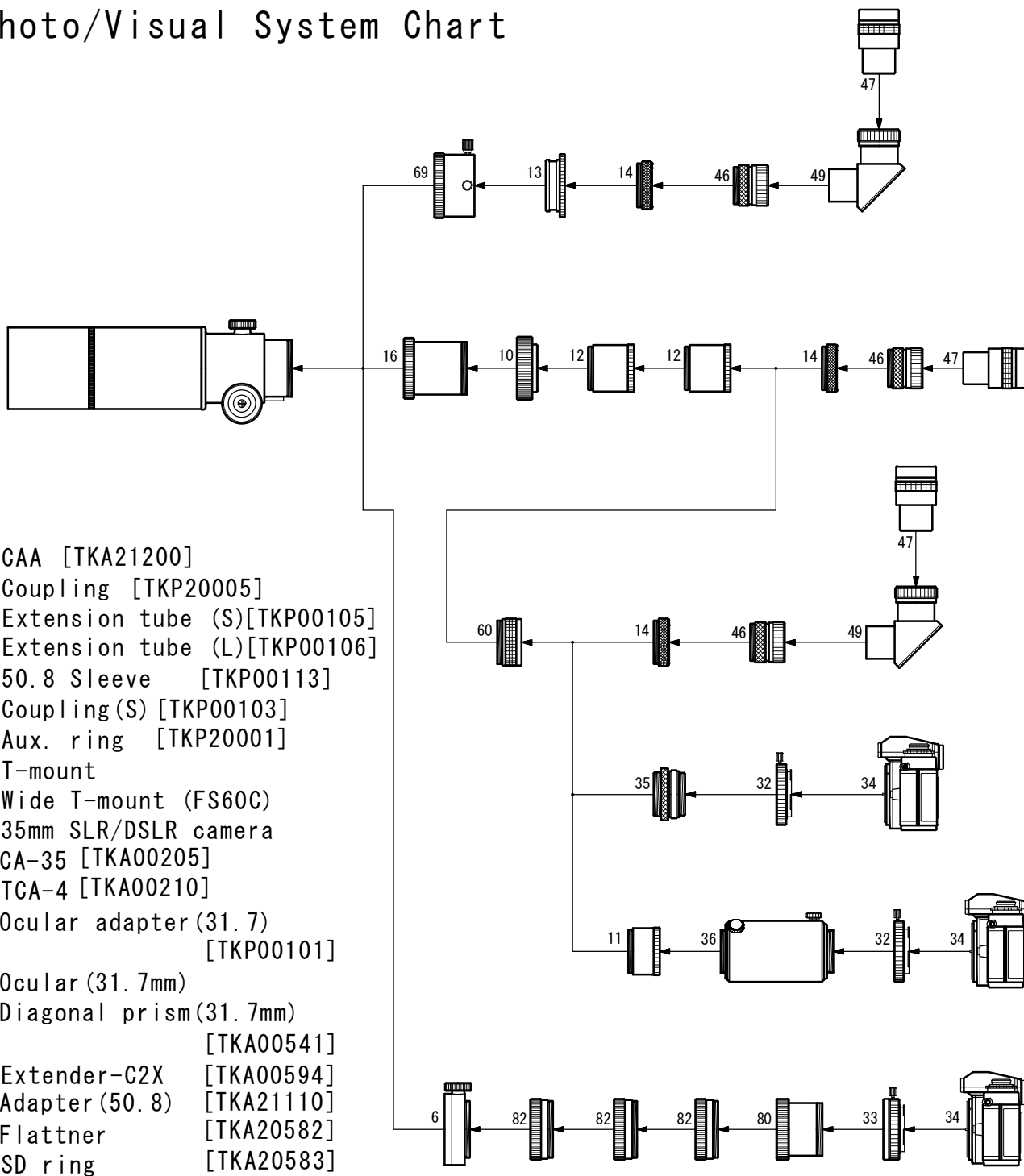
## Photo/Visual System Chart With Extender-C2X

- 10. Visual adapter [TKP20005]
- 11. Extension tube(S) [TKP00105]
- 14. Coupling(L) [TKP00104]
  
- 16. Aux. ring [TKP20001]
- 32. T-mount
- 34. 35mm SLR/DSLR camera
- 35. CA-35 [TKA00205]
- 36. TCA-4 [TKA00210]
- 46. Ocular adapter (31.7) [TKP00101]
- 47. Ocular (31.7mm)
- 49. Diagonal prism (31.7mm) [TKA00541]
- 60. Extender-C2X [TKA00594]



# FS-60CSV

## Photo/Visual System Chart



(Note) Some 35mm SLR/DSLR cameras cannot be attached